

EcoPower Combimould

55 – 300 t

All-electric multi-component technology

world of innovation



EcoPower COMBIMOULD

Highly versatile multi-component injection molding

EcoPower stands for the WITTMANN BATTENFELD injection molding machines with small to medium clamping force sizes (55 to 550 t), featuring a highly efficient servo-electric drive system combined with a compact servo-electric clamping unit and lean injection units in the international standard sizes of 70 to 5000.

Combimould stands for WITTMANN BATTENFELD's multi-component injection molding technology. In this process, a basic part is produced in the first injection molding station, then plastic components in different colors or made of different materials are added in one or several more injection molding stations, all in one cyclical sequence. In this way, various material attributes are combined with each other to create a composite part of better quality in terms of visual attractiveness and functionality. This material combination technology can be used to produce individual parts as well as integrated components joined together by assembly injection molding. Depending on the parts geometry in each case, this requires different process variants (for details see page 4).

EcoPower Combimould from 55 to 300 t stands for the combination of EcoPower machines with one or several additional plasticizing/injection aggregates in various configurations.

For technical details of standard EcoPower machines see the EcoPower brochure.





© PLAYMOBIL®

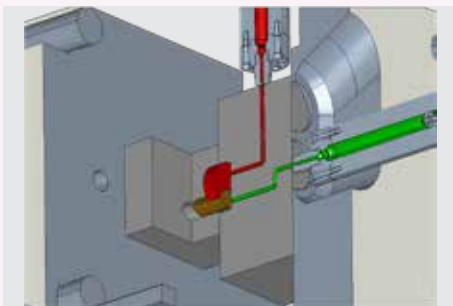


EcoPower Combimould Applications

- » **Back molding**
Simple back molding of two or three plastic layers on a base part or certain areas thereof is the most frequent application. Examples are decorations or anti-wear protection layers.
- » **Assembly injection molding**
By targeted use of the differences in attributes of the plastic materials combined with each other, assemblies can be produced with individual movable or detachable parts. Examples are flexible toy figures, chain links, switch rockers or spout closures with resealing caps.
- » **Hard-soft composites**
An important field of application for assembly injection molding is seal installation. In this process, sealing lips made of silicone or thermoplastic elastomers can be molded directly onto housing bodies or technical parts in a second injection molding step.
- » **Overmolding**
"Overmolding" is a special form of hard-soft combination, where soft, skid-resistant surfaces are created on housing parts or appliance handles with elastomer layers.
- » **Sandwich injection molding – co-injection technology**
This process serves to produce parts with a three-layer structure, consisting of two continuous outer surface layers and a core layer. In terms of process technology, this is achieved by consecutive injection of two materials through the same nozzle into a conventional mold. A foamed or reinforced core component improves the part's mechanical attributes. Costs can be reduced by using regrind and Cellmould foam technology. The surface layers consisting of high-grade materials provide the desired high-quality surface attributes. In the packaging industry, barrier layers can be incorporated in the parts. Reproducible, attractive marbling effects can be achieved by switching several times between two materials of different colors. Depending on the area of application and the requirements to be met by the production equipment, a sandwich adapter plate or a sandwich and interval nozzle is used.

COMBIMOULD PROCESS TECHNOLOGY

Optimally coordinated solution

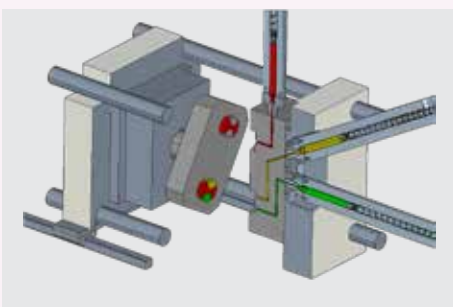


» Valve gate retraction process

To add flat components without parts transfer

In valve gate technology, the second component is added without prior mold opening and rotation. The different geometry required inside the cavity is produced by a hydraulic valve gate which, when retracted, provides the space for adding the second component.

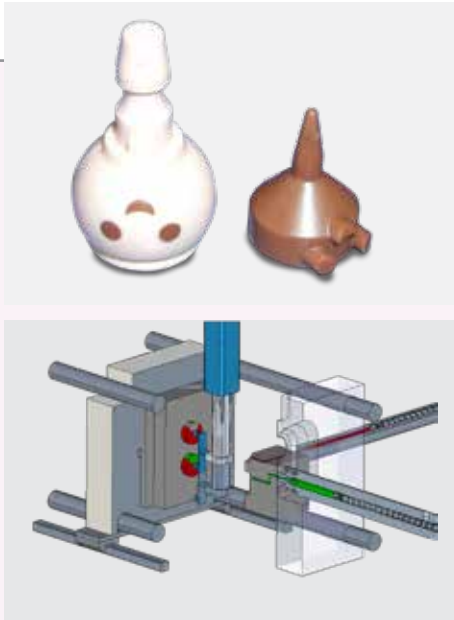
In spite of a longer cycle time due to serial production steps, the valve gate process may be of interest economically in mold technology for small numbers of units because of the lower cost of mold technology. In some cases, the compact mold design even allows the use of smaller machines. However, a possible use strongly depends on the design of the molded part and on flat geometries of the additions.



» Index plate process

For complex part design

In index plate technology, the rotation and transfer mechanism is an integral part of the mold. This process must be applied if the second component is to be added on both sides of the part. To this end, the preform must be transferred to a station to receive a modified shape on both sides. This is carried out with the help of an intermediate plate inside the mold, also known as index plate, by which the parts are lifted out of station 1, turned and then re-inserted into station 2. The drive system for the index plate is either integrated in the mold or may be connected to the machine with a servo-electric drive. Rotations of +/- 180 degrees (2 stations), 120 degrees (3 stations) or 90 degrees (4 stations) are possible. The index plate system offers the maximum possible flexibility for molded parts engineering.



» **Transfer process**

For special cases and small series projects

This process is used as an alternative to the index plate process where the molded part No. 1, due to its geometry, has an insufficient contact area on the index plate for being transported by the index plate between the injection molding stations. Other types of applications are combinations of bulky inserts (such as screwdrivers or knife blades) with plastic components, or a low-cost production alternative for small series.

CLAMPING UNIT

Servo-electric speed and dynamism

- » **Ample space for complex molds**
 - Generously dimensioned mold platens [1] and a clean toggle lever clamping system offer the optimal environment for all molds including all media connections.
 - The ejector area and the environment of the platens offer easy access for machine setup and adjustment work. [2]
- » **Sensitive and precise**

In the EcoPower clamping system, the tie-bars are exclusively used for force transmission between the outer platens. The moving platen travels virtually free of friction across the linear bearings without coming into contact with the tie-bars. [3]
- » **Servo-electric dynamism**
 - The moving platen is moved quickly and with high precision by a self-locking 5-point toggle lever. [4]
 - The toggle lever is driven by a highly dynamic servo motor via a rack-and-pinion drive system. [5]
 - The synchronized mold height adjustment via 4 bronze bar nuts and a sun gear system is driven by a servo motor. In this way, an extremely accurate clamping force regulation can be achieved. [6]
- » **Servo-hydraulic ancillary strokes**

To drive the ancillary strokes (ejector, nozzle strokes and core pulls), a hydraulic aggregate powered by a servo-electric motor is mounted on the inside of the machine frame. Being specially designed for high efficiency, it requires no cooling water connection. The maintenance-friendly access is from the rear, behind the clamping unit. Servo-mechanical drives for the ancillary strokes are available as options.



INJECTION UNIT

Precision from beginning to end

Wittmann

» **Everything to ensure series consistency**

- All screws > 25 mm come with a 22:1 L/D ratio.
- All injection units offer a wide injection pressure range.
- Plasticizing parallel to clamping unit movements and start of the injection process during clamping force build-up are possible as standard.
- EcoPower injection units with a higher injection performance can be supplied as an option.
- Moment-free nozzle contact thanks to axial configuration of traveling cylinders [7]
- Plasticizing units can be mounted to different injection aggregates with identical screw diameters.
- In combination with WITTMANN BATTENFELD HiQ software packages sensitive adjustment facilities are available in the form of (optional) software modules to compensate environmental factors such as temperature and moisture, regrind or masterbatch content.

» **Optimal operational excellence**

- The complete range of all-electric injection units is designed for quick barrel exchange from above.
- Easy access for changeover work thanks to compact design and sliding guard [8]

» **More productivity and efficiency**

- High-resolution absolute value encoder for precise control [9]
- Low-noise injection spindle with modern ball screw drive and "spacer" technology and low grease consumption [10]



Anti-wear options

In addition to the premium-quality standard equipment, an extensive range of options is available to provide extra anti-wear and/or anti-corrosion protection. Predefined option packages and a selection matrix facilitate the selection of the right plasticizing unit.

INJECTION UNIT

The right combination for every application

In addition to the (horizontal) aggregate included in series production, EcoPower Combimould machines can be fitted in V (vertical) and L (horizontal at the rear of the machine) configurations. Simultaneous, parallel operation of all servo-electric injection units is possible as standard. All process variants can be set individually.

» V configuration

Injection from above, also into the mold parting line

- Generously dimensioned adjustment range
- Slide device with linear guides
- Simple horizontal adjustment
- V aggregate completely retractable to the rear to provide an absolutely free mold space
- Nozzle position stroke measurement incl. display in the control system

» L configuration

Injection from the non-operator side, even into the mold parting line

- Slide device free on the rear of the fixed platen
- Injection unit supported on linear guides
- Large adjustment range
- Access to the nozzles and to the mold from the rear via large operator safety gate
- Fixed platen free for standard linear robot
- Nozzle position stroke measurement incl. display in control system



DRIVE TECHNOLOGY

Efficient through servo motors

Wittmann



Fast-responding, precise, cost-efficient

The use of servo-electric drive technology for all main movements affecting the cycle offers a large number of advantages compared to conventional hydraulic injection molding machines:

- » Energy efficiency through direct drive without energy conversion into hydro energy
- » Energy efficiency through the servo drives' high efficiency rates
- » Digital control for maximum repeatability
- » Use of recovered braking energy via KERS system for powering of heater bands
- » Cycle flexibility thanks to possibilities with parallel movements
- » Low sound emission (< 65 dBA)

The combination of servo motors and drive units (rack-and-pinion drive for the toggle lever and spindle drive for the injection stroke) can be supplied at different performance levels for different speeds.

Basically, the EcoPower drive concept offers the advantage of modularity for demand-oriented adjustment of drive performance to the intended use in each case.

Servo-hydraulic drive for ancillary strokes

- » Integrated in the machine frame without additional space requirements
- » Drive unit for hydraulic core pulls
- » Energy-efficient, maintenance-free nozzle contact with high pressure
- » No cooling required for standard applications



UNILOG B8

Complex matters simplified

The Unilog B8 machine control system is the WITTMANN BATTENFELD solution to facilitate the operation of complex processes for human operators. For this purpose, the integrated industrial PC has been equipped with an enlarged intuitive touch screen operator terminal. The visualization screen is the interface to the new Windows® 10 IoT operating system, which offers extensive process control functions. Next to the pivotable monitor screen, a connected panel/handset is mounted on the machine's central console.



Unilog B8 Highlights

- » **Operating logic**
with a high degree of self-explanation, similar to modern communication devices
- » **2 major operating principles**
 - Operating/movement functions via tactile keys
 - Process functions on touch screen (access via RFID, key card or key ring)
- » **Process visualization**
via 21.5" touch screen display (full HD), pivoting laterally
- » **New screen functions**
 - Uniform layout for all WITTMANN appliances
 - Recognition of gestures (wiping and zooming by finger movements)
 - Container function – split screen for sub-functions and programs
- » **Status visualization**
uniform signaling system across the entire WITTMANN Group
 - Headline on the screen with colored status bars and pop-up menus
 - ambiLED display on machine
- » **Operator assistance**
 - QuickSetup: process parameter setting assistant using an integrated material database and a simple query system to retrieve molded part data with machine settings pre-selection
 - Extensive help library integrated

COMBINATION OPTIONS

EcoPower Combimould

Wittmann



EcoPower Combimould 55			
Injection unit	70H	130H	350H
70	V - L	V - L	V - L
130	V - L	V - L	V - L

EcoPower Combimould 90 / 110			
Injection unit	130H	350H	750H
70	V - L	V - L	V - L
130	V - L	V - L	V - L
350	V - L	V - L	V - L

EcoPower Combimould 160 / 180			
Injection unit	350H	750H	1330H
70	V - L	V - L	V - L
130	V - L	V - L	V - L
350	V - L	V - L	V - L

EcoPower Combimould 240			
Injection unit	350H	750H	1330H
70	V - L	V - L	V - L
130	V - L	V - L	V - L
350	V - L	V - L	V - L

EcoPower Combimould 300			
Injection unit	750H	1330H	2100H
70	V - L	V - L	V - L
130	V - L	V - L	V - L
350	V - L	V - L	V - L

V vertical

L horizontal from rear

H horizontal

The Wittmann logo is located in the bottom right corner of the page. It consists of the word "Wittmann" in a white, italicized, sans-serif font, set against a dark red, rounded rectangular background.

WITTMANN BATTENFELD GmbH

Wiener Neustädter Strasse 81

2542 Kottlingbrunn | Austria

Tel.: +43 2252 404-0

info@wittmann-group.com

www.wittmann-group.com